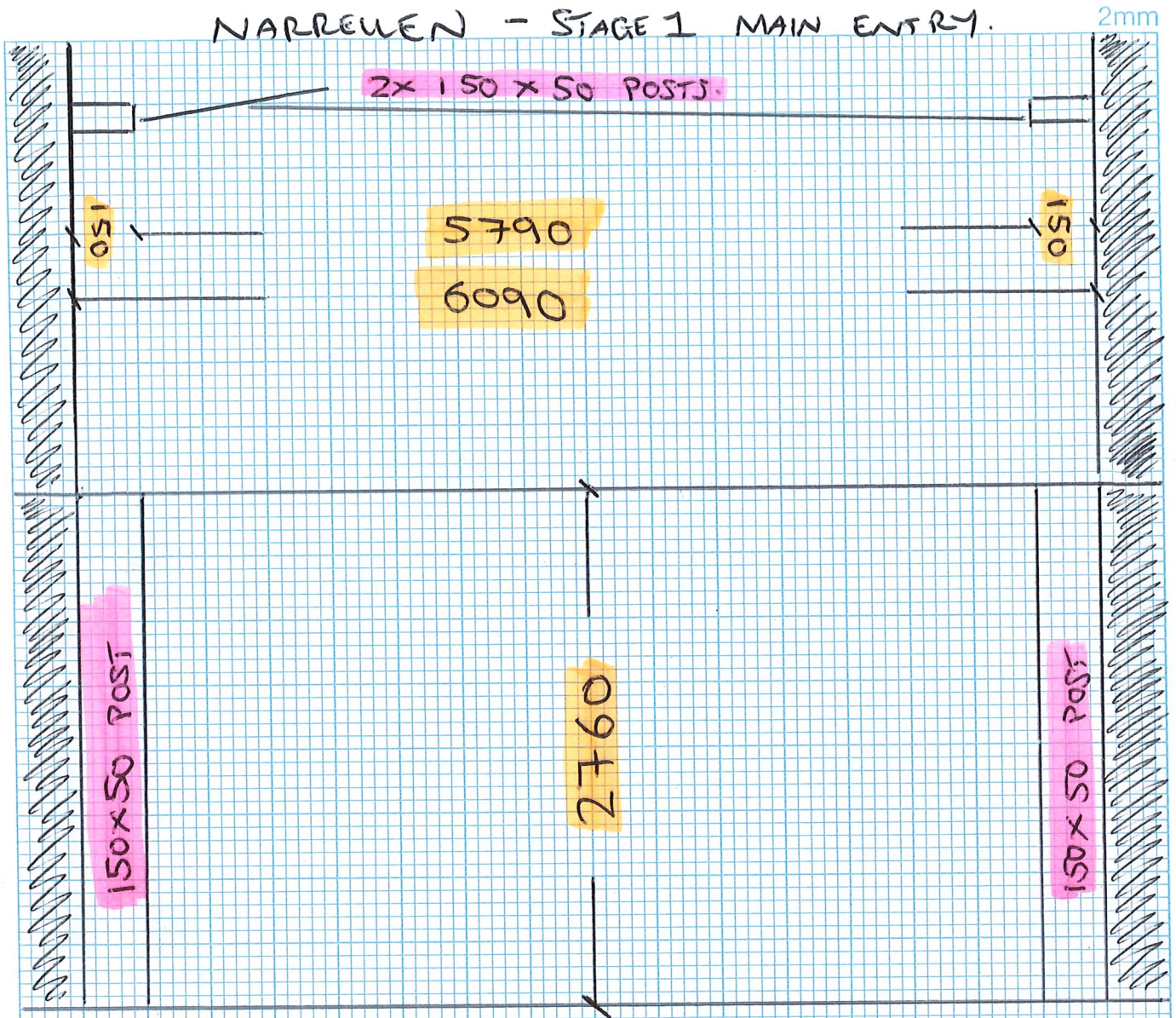


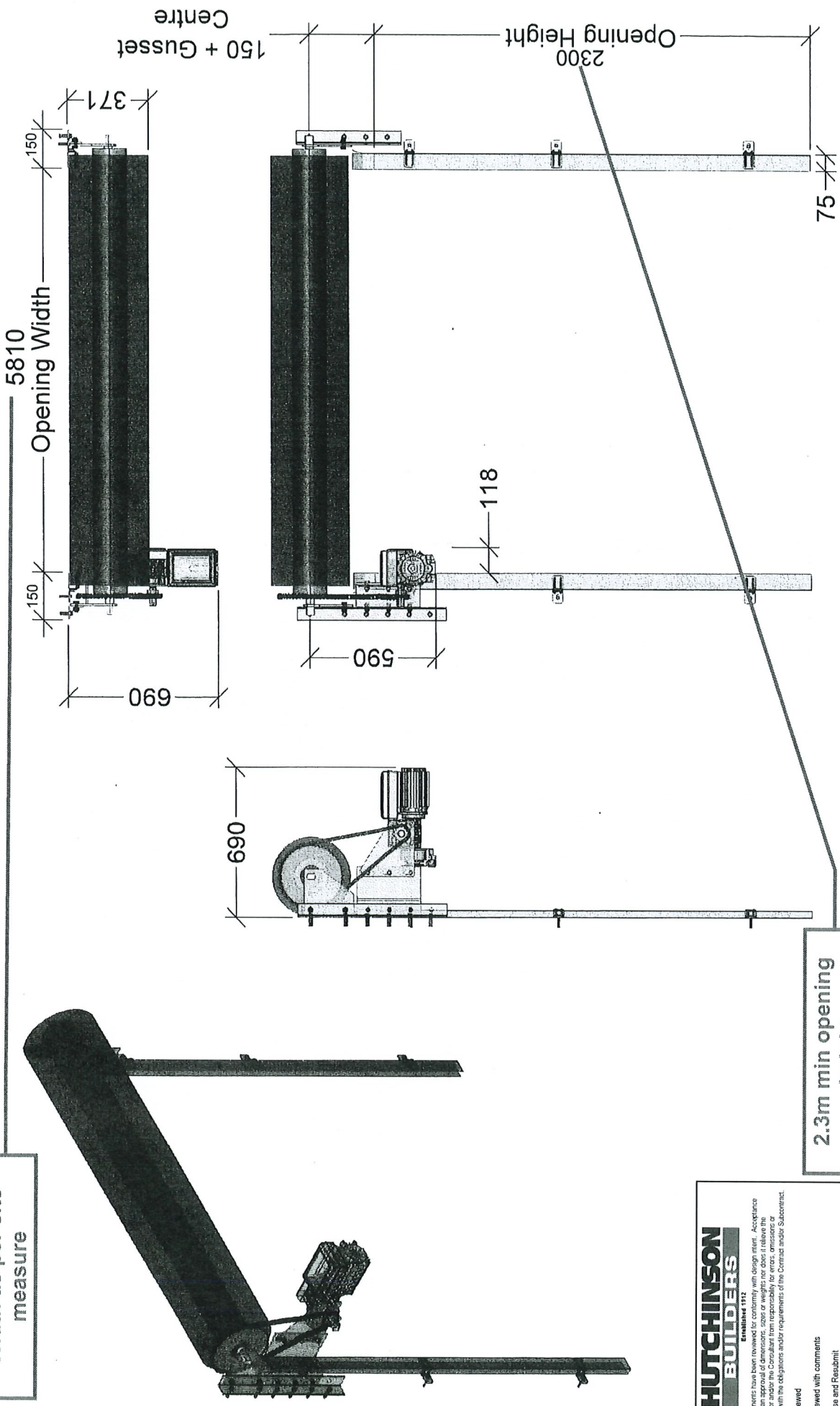
# NARREWEN - STAGE 1 MAIN ENTRY.



- \* 1 X L/H C/PARK PSD - 2300H X 5790W
- \* GRIPCO EDRIVE HCR 415V & BEAMS.
- \* L/H REVERSE MOTOR (OFF L/H WALL).
- \* 1 X H/PANEL - 75mm PERF 430 H X 5790W
- \* 75mm FULL PERF
- \* P/COAT - MONUMENT
- \* 2 X 150X50 POSTS - P/COAT MONUMENT.

Width as per site measure

2.3m min opening height



**HUTCHINSON BUILDERS**  
 LIMITED LIABILITY COMPANY  
 15/12/2021

These documents have been reviewed for compliance with design intent. Acceptance does not mean approval of dimensions, sizes or weights nor does it relieve the Subcontractor and/or the Consultant from responsibility for errors, omissions or compliance with the obligations and/or requirements of the Contract and/or Subcontract.

- Reviewed
- Reviewed with comments
- Revise and Resubmit

By: Nathaniel Piroda Date: 15/12/2021

1. 2300Hx5810W - Daylight Opening.
2. Fix to Steel Posts - Galvanized Finish with Monument Flashings 150x50mm.
3. Powdercoat - Monument.
4. 75mm Slat - Full Perforated.
5. 75mm Perf Head Panel to Match.
6. Grifco Edrive HCR - 415v Motor.



UNLESS OTHERWISE STATED ALL DIMENSIONS ARE IN MILLIMETRES.

CLIENT: Hutchinsons

DWG: Narrellen Stage 1

DRAWN: M.P

SCALE: NTS

REV: 1